

Model: JSMA-PMB15AAK

No.	Item	Symbol	Unit	Specification	No.	Item	Symbol	Unit	Specification
1	Drive	-	-	3 $\phi$ 220 VAC	13	Rotor Inertia	J-M	kg-cm <sup>2</sup>	8.88 $\pm$ 10%
2	Cooling Method	-	-	Totally Enclosed	14	Rated Power Rate	Q-R	Kw/s	57.7
3	Exciting Method	-	-	Permanent Magnet	15	Resistance	Ra	$\Omega$	0.79 $\pm$ 10% / 2 $\phi$
4	Resolution	-	-	17 bit ABS	16	Inductance	L	mH	4.74 $\pm$ 10% / 2 $\phi$
5	Rated Output	P-R	KW	1.5	17	Mech. Time Constant	Tm	ms	0.98 $\pm$ 10%
6	Rated Torque	T-R	N-m	7.16	18	Elect. Time Constant	Te	ms	6 $\pm$ 10%
7	Max. Torque	T-max	N-m	21.48	19	Insulation Class	-	-	Class B
8	Rated Speed	N-R	rpm	2000	20	Operation Temp.	T	$^{\circ}$ C	0~40
9	Rated Current	I-R	A	7.3	21	Operation Humd.	RH	%	<90
10	Max. Current	I-max	A	21.9	22	Storage Temp.	T	$^{\circ}$ C	-20~60
11	Torque Constant	Kt	N-m/A	1.06 $\pm$ 10%	23	Storage Humd.	RH	%	<90
12	Voltage constant	Ke	V/Krpm	62.78 $\pm$ 10% / 2 $\phi$	24	Weight	W	kgw	8.08

NO	Signal
A	U
B	V
C	W
D	FG

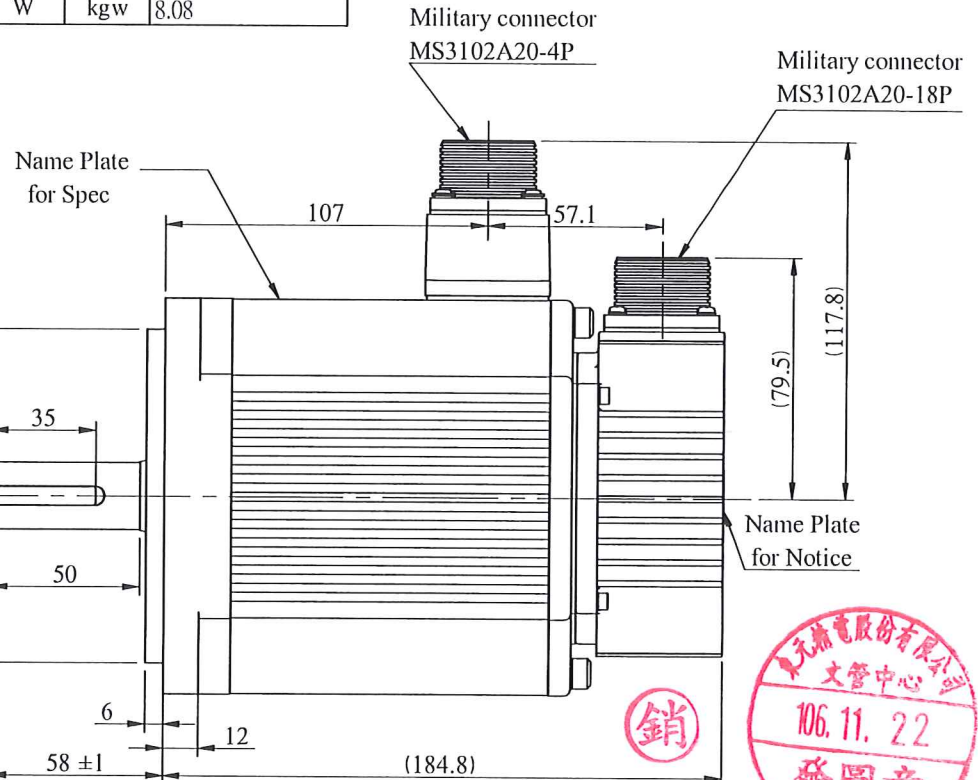
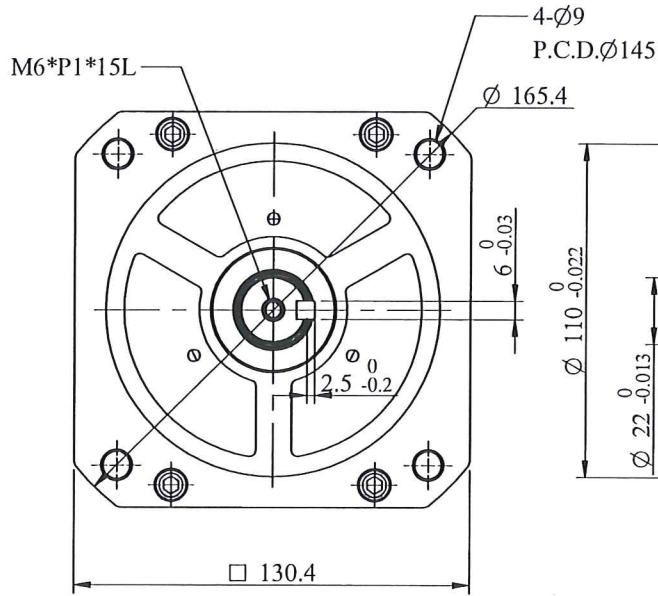
motor wiring

Pin	Signal
B	+5V
I	0V
A	VB+
C	VB-
H	SD+
D	SD-
G	
E	
F	FG

encoder wiring

Note:

1. Motor to be IP67. (excluding the shaft opening & connectors)
2. The detail of Name plate for Spec. refers to the file DC-JXE-002.



STANDARD TOLERANCE		APVD	SCALE	UNIT	NAME	Servo Motor Outline Drawing	
X	±0.5	<i>Zs</i>	2/5	m m			
.X	±0.2	<i>Michelle</i>	3RD .A.P		TITLE	JSMA-PMB15AAK	
.XX	±0.05	CHKD					
ANGLE	±30'	DWN					
MATERIAL	REV	DESCRIPTION	SIGNATURE	DATE	SIGNATURE	DATE	JTECO ELECTRO DEVICES CO., LTD. Dept. Design DWG.NO. D01B13152B3N3AD01